



DENALI Plow Mount MA11109 Polaris Sportsman

Thank you for purchasing our DENALI plow mount. You now own a premium custom plow mount to allow you to use your plow with your ATV. Please note the following instructions and heed all warnings.

- Your ATV and/or plow system can cause death or injury, please use caution and common sense when operating your unit.
- Read your Plow Operator Manual, your Winch Operator Manual, and all warning labels before operating your ATV.
- Operate your ATV at a walking speed with the blade installed. Do not exceed 5 mph (8 km/h), even with the blade up.
- Do not operate the ATV on slopes greater than 10 degrees with the plow installed.
- Always lower the plow to the down position before leaving your ATV unattended.

SEVERE INJURY OR DEATH MAY RESULT IF YOU ARE NEGLIGENT.

**Polaris Sportsman
MA11109**



motoalliance

22000 Industrial Blvd
Rogers, MN 55374
866.527.7637

Please verify that all hardware and parts are included in your package

Kit Contents: Please refer to Figure 1

Item	Qty	Description
1	1	MA11109 Plow Mount
2	5	3/8"-16 x 1 1/4" G5 Hex Bolt
3	10	3/8" Flat Washer
4	5	3/8"-16 Nylock Nut
5	2	5/16"-18 x 1" Carriage Bolts
6	2	5/16"-18 Nylock Nuts
7	2	5/16" Flat Washers

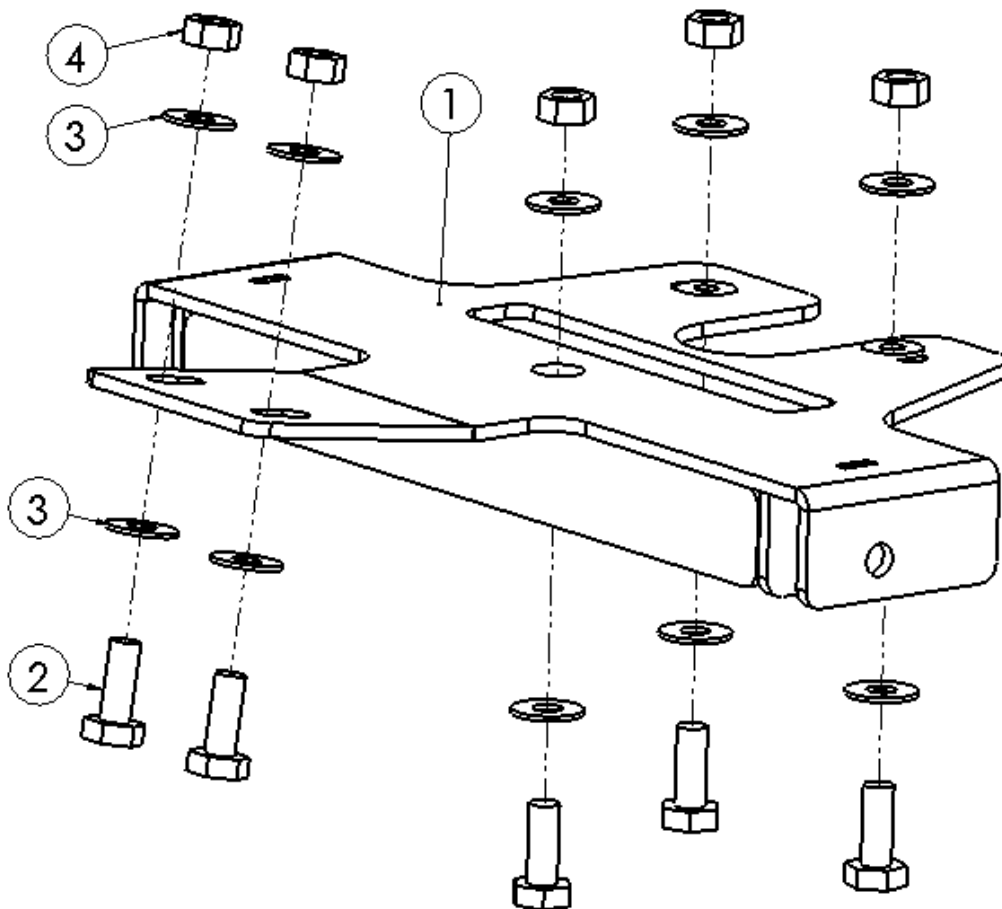


Figure 1



Plow Mount Assembly

1. Hold the mount up to the underside of the Sportsman with the two tabs facing the ground as seen in (Figure 1). Align the front angled face of the mount with the bolt holes shown in (Figure 2). Use (2) of the 3/8" x 1 1/4" Hex Bolts to secure the front end of the mount to the ATV frame. **Note: Do Not tighten these bolts at this time.**

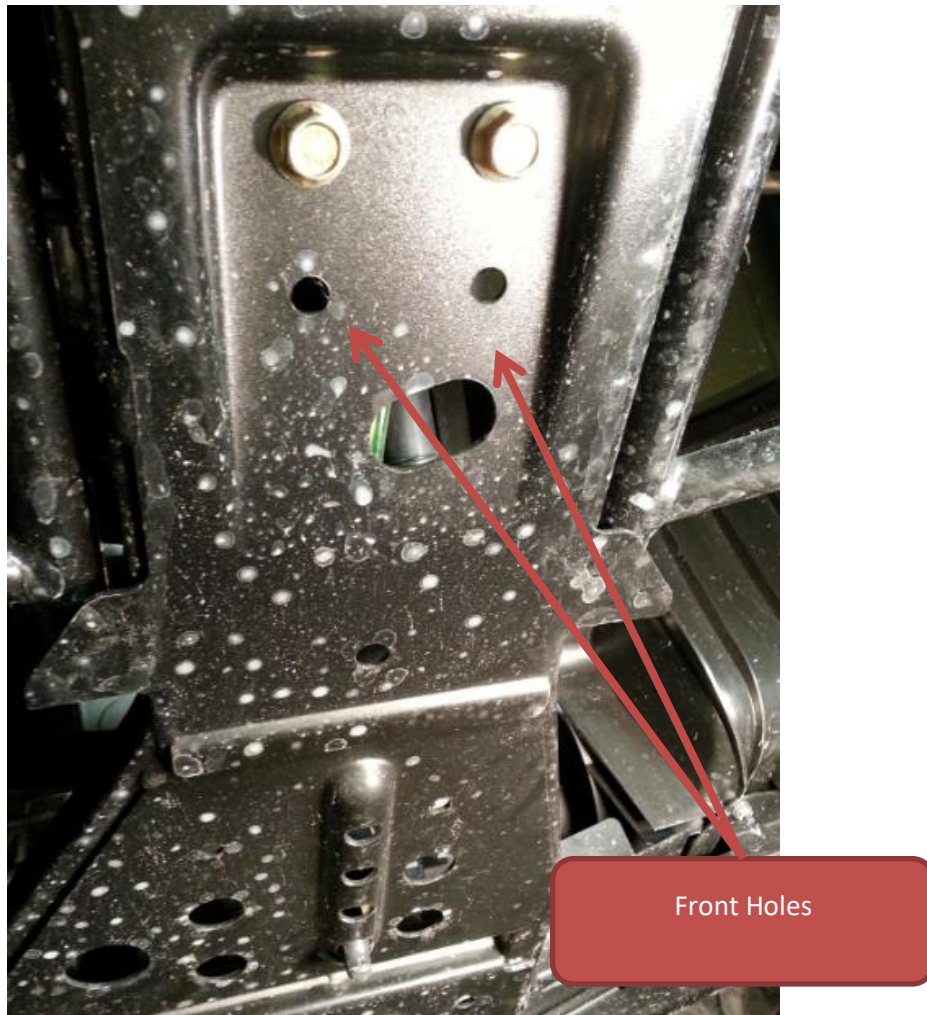


Figure 2

**Polaris Sportsman
MA11109**



motoalliance

22000 Industrial Blvd
Rogers, MN 55374
866.527.7637

2. With the two front bolts in place, align the remaining bolts with the predrilled holes in your Sportsman frame. Install the remaining 3/8" Hex Bolts as shown in (Figure 1 and Figure 3).

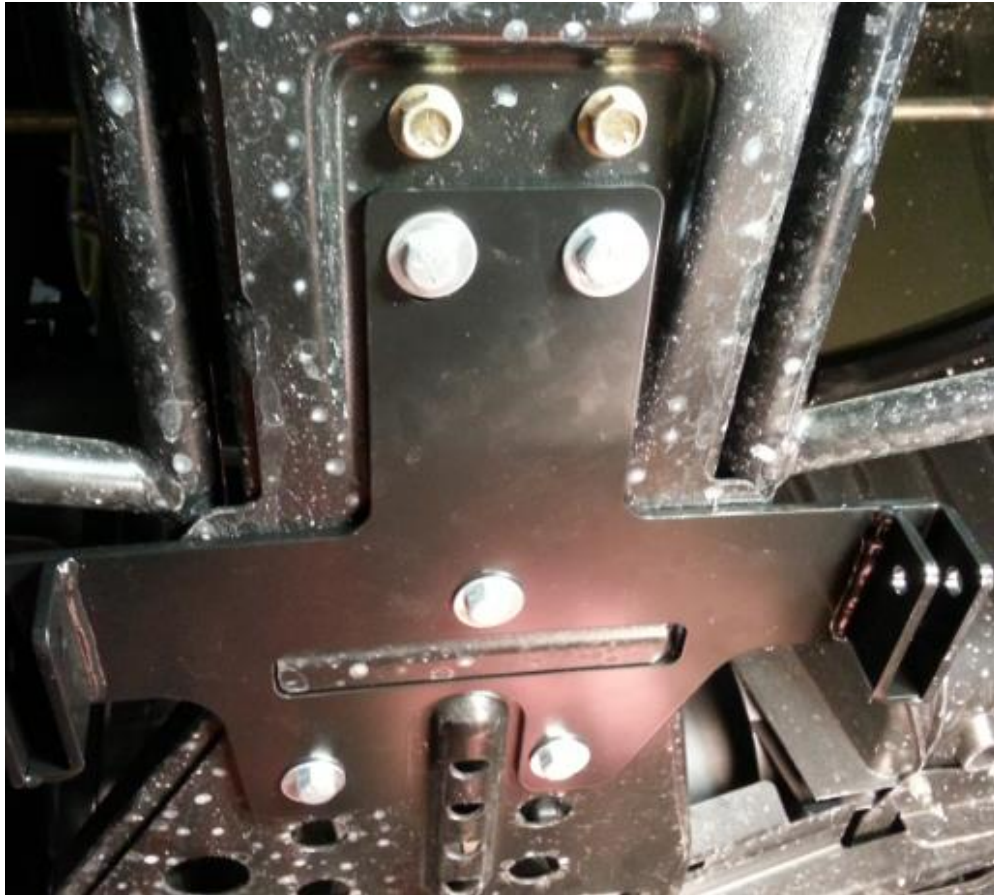


Figure 3

3. Tighten all hardware and attach your plow using the Quick Connect Pins included in your DENALI Plow Kit.

**Polaris Sportsman
MA11109**



motoalliance

22000 Industrial Blvd
Rogers, MN 55374
866.527.7637

2015+ Sportsman 570 and ETX

4. The battery will interfere with the rear most Hex Bolts, in this case use the included 5/16" Carriage Bolts from the top of the machine to secure the rear most bolts.

